

DISTRIBUTORS FOR:



manufacturer of:



DISTRIBUTORS FOR:

SAATI

DAWNING FILTERS

Liquid Filtration Product Brochure

**Bag Filter Housings &
Filter Bags**

**Cartridge Filter Housings &
Filter Cartridges**

**Accessories &
Spare Parts**

Dawning Filters - Liquid Filter Systems

Bag Filter Housings

Single and multi-bag filter housings
in high quality stainless steel
Suitable for all commonly used filter bags
Flow rates max.960m³/hr

[Details page 3-10](#)



Filter Bags

High quality needlefelt and nylon monofilament bags
Steel, zinc plated and Plastic top collar rings
4 different sizes - max. 0.5 m² filter surface per bag
Suitable for all commonly used filter housings

[Details page 11-12](#)

Cartridge Filter Housings

Single and multi-cartridge filter housings
1 to 5 cartridges per housing (9³/₄" - 30" length)
High quality stainless steel and polypropylene
Suitable for all commonly used filter cartridges

[Details page 13 -16](#)



Filter Cartridges

Industrial filter cartridges

4 different types:

String wound, phenolic resin bonded, melt-blown,
extruded activated carbon and pleated cartridges

Sizes 5" to 40" length

Suitable for all commonly used filter housings

[Details page 17 - 19](#)

Dawning Filters - Liquid Filter Systems

Bag Filter housings

Wide range of stainless steel bag filter housings

Compatible with all types of commonly used filter bags

Filter housings containing 1-4 filter bags (max flow of 160m³/hr)

Economical stainless steel alternative to carbon steel housings guarantees years of consistent performance



ECOLINE

Side Inlet Economy

The economical series of light weight construction

Page...4



FLOWLINE

Side Inlet Flow

Side inlet, high precision

Page...5



TOPLINE

Over the top inlet highest quality and precision

Page...6



SIDELINE

Side Inlet Flow

Side inlet, high precision for heavy industrial applications

Page...7



MULTI-BAG

Top Inlet Multi-bag

High flow rate with over the top inlet, multi-bag unit

Page...8



POLYLINE

For aggressive filter media, the perfect polypropylene filter

Page...9



Various Accessories and Spare Parts

To optimize the filter operation

Page...10

Dawning Filters - Liquid Filter Systems

Bag Filter housings ECOLINE-Series

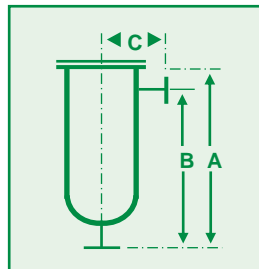
- The economical series of light weight construction
- Throughput 6-40 m³/hr
- Economic stainless steel housing that outlast carbon steel housings
- For inline safety filtration and OEM applications
- Easy to operate, V-clamp closure



EBF-01/02

ECOLINE -Series (20-40 m³/hr)

Bag Size	Material	Max. work. pressure (bar)/temp
01 and 02	SS 304/316	6/120°C



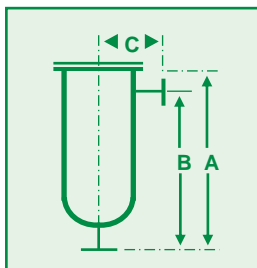
	EBF-0101	EBF-0102
m ² /bag	0.25	0.5
m ³ /hour	20	40
Dimensions (in mm):		
A	559	954
B	489	884
C	150	150
Connections:		
inlet / outlet	2" BSP	2" BSP
vent	1/4" BSP	1/4" BSP



EBF - 03/04

ECOLINE -Series (6-12 m³/hr)

Bag Size	Material	Max. work. pressure (bar)/temp
03 and 04	SS 304/316	9/120°C



	EBF-0103	EBF-0104
m ² /bag	0.09	0.18
m ³ /hour	6	12
Dimensions (in mm):		
A	359	514
B	299	454
C	110	110
Connections:		
inlet / outlet	1 ½ " BSP	1 ½ " BSP
vent	1/4" BSP	1/4" BSP

Dawning Filters - Liquid Filter Systems

Bag Filter Housing FLOWLINE - Series

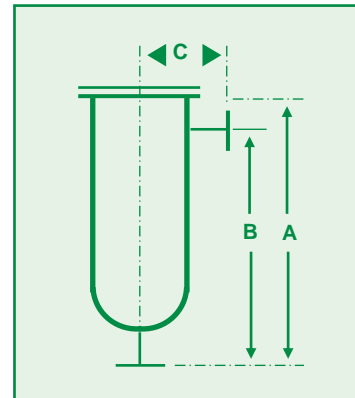
- Side inlet, high precision
- For light industrial and OEM applications for flow rates up to 40 m³/hr
- Hinged lid SS 304/316 filter
- Easy to operate and quick bag changes - 4 swing eye bolts
- Easy to clean - smooth surface

FLOWLINE -Series (20-40 m³/hr)



FBF-01/02

Bag Size	Material	Max. work. press (bar)/temp
01 and 02	SS 304/316	10/120°C



	FBF-0101	FBF-0102
m ² /bag	0.25	0.5
m ³ /hour	20	40
Dimensions (in mm):		
A	575	970
B	489	884
C	150	150
Connections:		
inlet / outlet	2" BSP	2" BSP
or inlet / outlet	DN 50	DN 50
vent	1/4" BSP	1/4" BSP

Dawning Filters - Liquid Filter Systems

Bag Filter Housing TOPLINE - Series

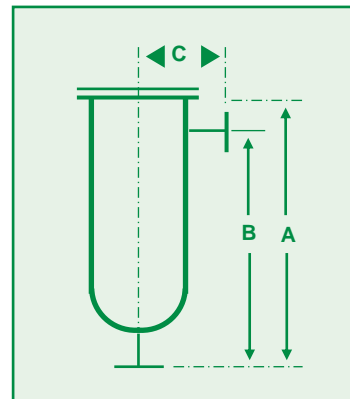
- Top entry SS 316 Ti housing highest quality and precision
- Low pressure drop
- No by-pass of particles with best filtration results
- Easy to operate and quick bag change - 4 swing eye bolts
- Easy to clean - smooth surface

TOPLINE - Series (20-40 m³/hr)



TBF-01/02

Bag Size	Material	Max. work. pressure (bar)/temperature
01 and 02	SS 316 Ti	10/160°C



	TBF-0101	TBF-0102
m ² /bag	0.25	0.5
m ³ /hour	20	40
Dimensions (in mm): A	444	839
B	395	790
C	307	307
Connections: inlet / outlet Vent	DN 50/PN16 1/4" BSP	DN 50/PN16 1/4" BSP

Dawning Filters - Liquid Filter Systems

Bag Filter Housing SIDELINE - Series

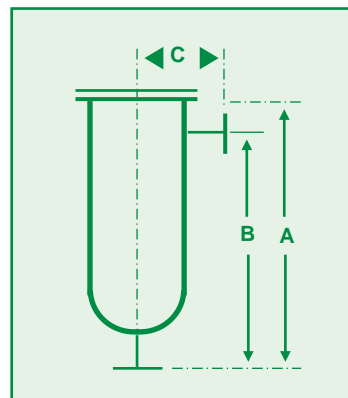
- Side inlet, high precision
- For heavy industrial and OEM applications for flow rates up to 40 m³/hr
- Hinged lid SS 316 Ti filter
- Easy to operate and quick bag changes - 4 swing eye bolts
- Easy to clean - smooth surface



Sideline - Series (20-40 m³/hr)



Bag Size	Material	Max. work. pressure (bar)/temperature
01,02,03 & 04	SS316 Ti	10/160°C



SBF 01/02/03/04

	SBF-0101	SBF-0102	SBF-0103	SBF-0104
m ² /bag	0.25	0.5	-	-
m ³ /hour	20	40	6	12
Dimensions (in mm):				
A	575	970	375	530
B	495	890	300	455
C	220	220	110	110
Connections:				
inlet / outlet	DN 50/PN16 DN 80/PN16	DN 50/PN16 DN80/PN16	1 ½ "BSP 1/4" BSP	1 ½ "BSP 1/4" BSP
Vent	1/4" BSP	1/4" BSP		

Dawning Filters - Liquid Filter System

MULTI BAG Filter Housing - Series

- High flow rates up to 960 m³/hr
- Split lid hinged SS 304/316 filter housing
- From 4 to 24 bags per housing in size 01 and 02
- For heavy industrial and OEM applications

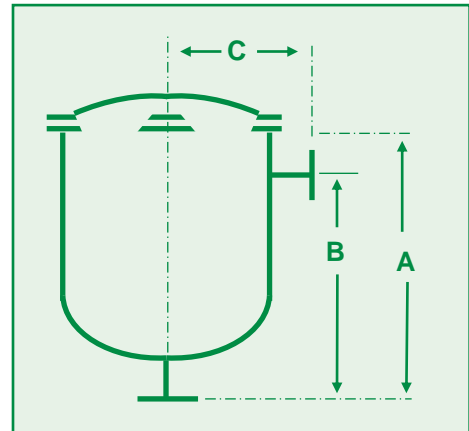


MULTI BAG - Series (80-960 m³/hr)



MBF-01/02

Bag Size	Material	Max. work. pressure (bar)/temperature
01 and 02	SS 304/316	6/120°C



	MBF-0401	MBF-0402
m ² /bag	0.25	0.5
m ³ /hour	80	160
Dimensions (in mm): A	550	945
B	345	740
C	400	400
Connections: inlet / outlet Vent	DN 100 1/4" BSP	DN 100 1/4" BSP

Dawning Filters - Liquid Filter Systems

Bag Filter Housing POLYLINE - Series

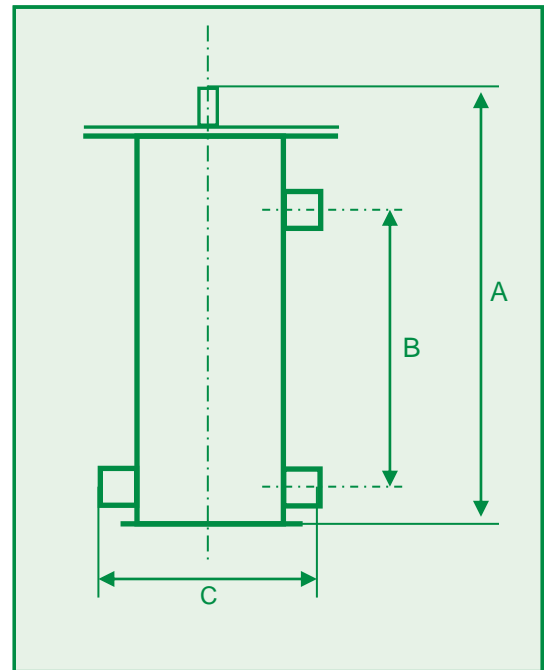
- The perfect polypropylene housing, 100% glass filled polypropylene
- For aggressive filter media where Stainless Steel cannot be used
- Max. working pressure 10 bar at 21°C working temperature
- Easy to operate and quick bag changes

POLYLINE - Series (20-40 m³/hr)



PBF-01/02

Bag Size	Material	Max. work. pressure (bar)
01 and 02	Polypropylene	10



	PBF-0101	PBF-0102
m ² /bag	0.25	0.5
m ³ /hour	20	40
Dimensions (in mm):		
A	696	1102
B	527	933
C	312	312
Connections:		
inlet / outlet	2" BSP	2" BSP
or inlet / outlet	DN 50	DN 50
Drain	2" BSP	2" BSP



Dawning Filters - Liquid Filter Systems

Bag Filter Housing Accessories

Well designed accessories to optimize the filter operation



Vent Valve 1/4"



Pressure Gauge 1/4"



Displacement Balloon



Bag Positioner



Bag Positioner with Magnets



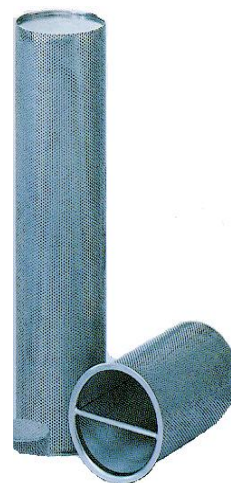
Restrainer Basket



Wall Mounting Brackets



Leg Assemblies



Mesh- Baskets

Dawning Filters - Liquid Filter Systems

Filter Bags

- Steel, zinc plated, top collar ring
- Easy installation and secure sealing
- Felt material - polyester and polypropylene from 1-200 μ
- Mesh material - nylon monofilament from 50-800 μ
- 4 different sizes - 0.09 to 0.5 m² filtration surface



SNAP-RING

Filter Bag

PO - 50 - 02 - S

Filter Media/Material

PO = Polypropylene needle felt
 PE = Polyester needle felt
 NMO = Nylon monofilament mesh

Filter Bag Size

Code	Surface m ²	Size (cm)
03	0.09	Ø 18 x 43
04	0.16	Ø 18 x 43
01	0.25	Ø 18 x 43
02	0.50	Ø 18 x 80

Filter Fineness in Micron

Material	1	5	10	25	50	80	100	125	150	200	400	600	800
PO	x	x	x	x	x		x			x			
PE	x	x	x	x	x		x			x			
NMO					x	x	x	x	x	x	x	x	x

Dawning Filters - Liquid Filter Systems

Filter Bags

- Plastic top collar ring - ALL WELDED CONSTRUCTION
- Easy installation and best possible sealing
- Felt material - polyester and polypropylene from 1-200 μ
- 2 different sizes - 0.25 and 0.50 m² filtration surface



SENTINEL

Filter Bag

PO - 50 - 02 - E

Filter Bag Size

Code	Surface m ²	Size (cm)
01	0.25	Ø 18 x 43
02	0.50	Ø 18 x 80

Filter Media/Material

PO = Polypropylene needle felt

PE = Polyester needle felt

Filter Fineness in Micron

Material	1	5	10	25	50	100	200
PO	x	x	x	x	x	x	x
PE	x	x	x	x	x	x	x

Dawning Filters - Liquid Filter Systems

Cartridge Filter Housings



POLYCART

Single cartridge
Polypropylene housing

Page...14

ECOCART - SINGLE

Single cartridge
Light weight stainless steel housing

Page...15



ECOCART - MULTIPLE

Multi cartridge
Light weight stainless steel housing

Page...16

Dawning Filters - Liquid Filter Systems

Cartridge Filter Housings

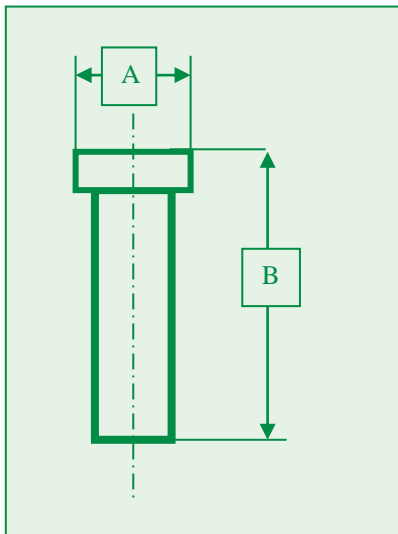
POLYCART Series (1-2 m³/h)

- Single cartridge polypropylene filter housing
- Easy installation into pipe lines, 3/4" female BSP threaded inlet/outlet
- Suitable for DOE (double open ended) cartridges 9 3/4" and 20" length
- Ideal for water filtration and OEM-use



PKF - 1 - 20 - P

No. Cartridge	Length of cartridge	Material of Housing
1	9 3/4 "	Polypropylene (P) or SAN (T)
1	20 "	Polypropylene (P) or SAN (T)



Technical Data

	PKF-1-09-P/T	PKF-1-20-P/T
Max operating conditions (bar/°C)	8/50	8/50
Weight of housing (kg)	0.8	2.0
Dimensions (in mm): A	122	122
B	310	575
Connections: inlet / outlet	3/4" BSP	3/4" BSP

Accessories for Polycart Series



Key



Mounting Bracket

Dawning Filters - Liquid Filter Systems

Cartridge Filter Housings

ECOCART Series (1-3 m³/h)

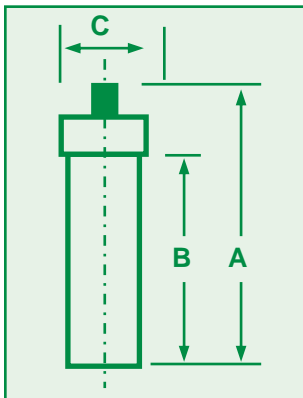
- Single cartridge stainless steel filter housing
- Light weight construction, easy to operate central bolt closure
- Economical cartridge filter housing
- Inlet/outlet 1" female BSP threaded connection
- Suitable for DOE (double open ended) cartridges 9¾" to 30" length



EKF – 109 - E

No. Cartridge	Length of cartridge	Material of Housing
1	9¾"	SS 304
1	20"	SS 304
1	30"	SS 304

Technical Data



	EKF-109-E	EKF-120-E	EKF-130-E
Max operating conditions (bar/°C)	10/121	10/121	10/121
Weight of housing (kg)	3.5	4.5	5.5
Dimensions (in mm):			
A	349	603	857
B	281	535	789
C	105	105	105
Connections: inlet / outlet	1" BSP	1" BSP	1" BSP

Dawning Filters - Liquid Filter Systems

Cartridge Filter Housings

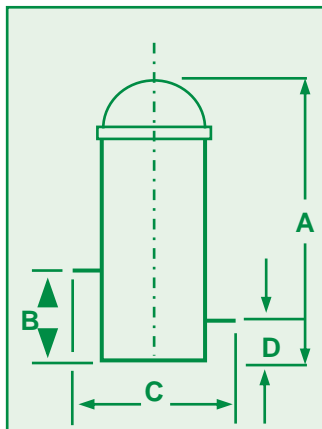
ECOCART Series (5-15 m³/h)

- Multi cartridge stainless steel filter housing
- Light weight construction, easy to operate V-clamp closure
- Economical cartridge filter housing
- Inlet/outlet 2" female BSP threaded connection
- Suitable for DOE (double open ended) cartridges 9³/₄" to 30" length



EKF - 509 - E

No. Cartridge	Length of cartridge	Material of Housing
5	9 ³ / ₄ "	SS 304
5	20 "	SS 304
5	40 "	SS 304



Technical Data

	EKF-509-E	EKF-520-E	EKF-540-E
Max operating conditions (bar/°C)	10/121	10/121	10/121
Weight of housing (kg)	13	16	23
Dimensions (in mm):			
A	502	755	1265
B	175	175	175
C	267	267	267
D	76	76	76
Connections: inlet / outlet	2" BSP	2" BSP	2" BSP

Dawning Filters - Liquid Filter Systems

Filter Cartridges

LOFWIND Series

- String wound - versatile and low cost
- Polypropylene yarn depth filter element
- Polypropylene core, one piece construction
- Length of cartridges 5"-40"
- Nominal micron rating from 0.5 - 150 μm



LW - 10 - P - P - 1

Length of cartridge (inch)	Winding Material	Core	Nominal micron rating (μm)
5, 9 ³ / ₄ , 10, 19 ¹ / ₂ , 20, 29 ¹ / ₄ , 30, 39, 40	Polypropylene Bleached cotton	Polypropylene Stainless steel Tinned Steel	0.5, 1, 3, 5, 10, 25, 50, 75, 100, 150

LOFCLEAN - Series

- Phenolic resin bonded
- Acrylic - long staple fiber depth filter element
- Core support, one piece construction
- Length of cartridge 9³/₄"-40"
- Nominal micron ratings from 2 -150 μm



LC - 9 - A - 2

Length of cartridge (inch)	Material of fiber	Nominal micron rating (μm)
9 ³ / ₄ , 10, 19 ¹ / ₂ , 20, 29 ¹ / ₄ , 30, 39, 40	Acrylic	2, 5, 10, 25, 50, 75, 125, 150

Dawning Filters - Liquid Filter Systems

Filter Cartridges

LOFTREX Series

- Melt-blown - excellent chemical resistance
- Polypropylene fiber filter element
- Core support - free of binding agent
- Length of cartridges 5"-50"
- Nominal micron rating from 1-75 μm @ 80% efficiency



LX - 20 - 75

Length of cartridge (inch)	Nominal micron rating (μm)
5, 93/4, 10, 191/2, 20, 291/4, 30, 39, 40, 50	1, 3, 5, 10, 20, 30, 50, 75

LOFTREX - M series

- Melt-blown - excellent chemical resistance
- Polypropylene fiber filter element
- Core support - free of binding agent
- Length of cartridges 5"-40"
- Nominal micron rating from 1-120 μm @ 95% efficiency



LX - 20 - 10 - M

Length of cartridge (inch)	Nominal micron rating (μm)
5, 93/4, 10, 191/2, 20, 291/4, 30, 39, 40	1, 3, 5, 10, 20, 30, 40, 50, 75, 90, 120



Dawning Filters - Liquid Filter Systems

Filter Cartridges

LOFTOP Series

- Absolute filter cartridges
- 100% high purity polypropylene micro fibers.
- Core support - free of binding agent
- Do not release any fibers
- Length of cartridges 5"-40"
- Filter Fineness: 0.5 – 120 μm



LT - 10 - 30 - A - G

Length of cartridge (inch)	Absolute micron rating (μm)	End Cap/Adapters
5, 10, 20, 30, 40	0.5, 1, 3, 5, 10, 20, 30, 50, 70, 90, 120	G, 2, 3, 4, 2V, 3V, 4V

LOFSORB - Series

- Activated carbon cartridges - adsorption DOE filter element
- Excellent adsorption capacity
- Construction does not release activated carbon into the filtrate
- Length of cartridge 4 7/8" - 30"
- Micron ratings from 1 - 10 μm



LA - 9 - E - 3 - 01

Length of cartridge (inch)	Material of filter element	Nominal micron rating (μm)
4 7/8, 5, 9 3/4, 10, 20, 30	extruded activated carbon	1 = 1 μm 2 = 5 μm 3 = 10 μm

Dawning Filters - Liquid Filter Systems

Head office:

Unit 11, 2 Corobrik Road
Riverhorse Valley
Durban
Phone: 031 569 6700
Fax: 031 569 6704
Internet: www.dawning.co.za
E-mail: dawning@global.co.za

Johannesburg office:

Unit 15, Fern Towers
Hylauma Street
Ferndale
Randburg
Phone: 011 791 4331
Fax: 011 791 0583

Contact persons:

Shaun Dibb
Sales Service
Head Office
E-mail: shaundawning@global.co.za

Sonja Kolle
Sales Service
Head Office
E-mail: sonja@dawning.co.za

Rowan Dibb
Sales Service
Johannesburg Office
E-mail: rowan@dawning.co.za

Charlie Walkinshaw
Sales Service
Johannesburg Office
E-mail: charlie@dawning.co.za

Corlia van der Westhuizen
Sales Service
Johannesburg Office
E-mail: corlia@dawning.co.za