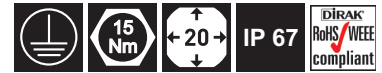


7-078 Compression Latch Pr20.1

with fixed H-dimension, non-adjustable cam, stainless steel AISI 316

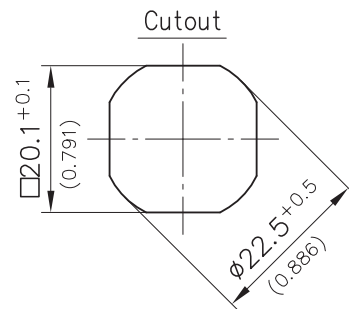
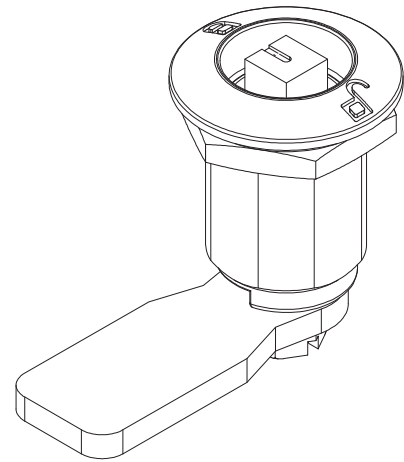
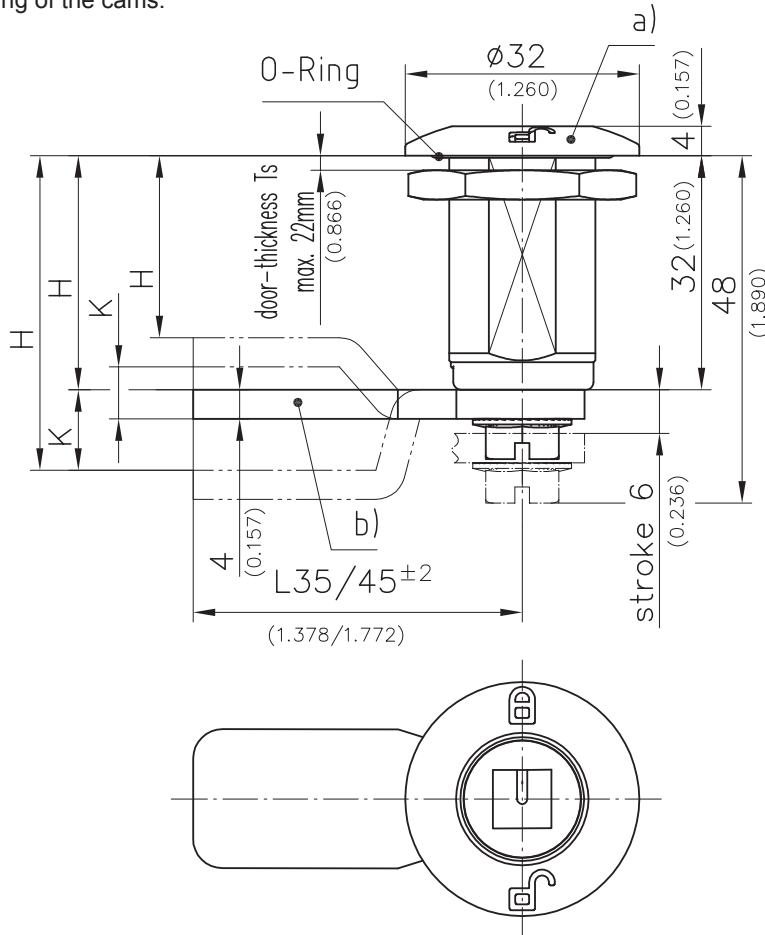


Elegant Compression Latch.

- Low profile design.
- Clamping grip 6mm/0.236.
- Vibration-proof according to DIN EN 61373.
- Dots are marked in color on the housing top open/closed in the shape of the padlock.
- Installation depth in uncompressed condition, 48mm/1.890.
- Water- and dust-tight according to IP67 DIN EN 60529.
- RH and LH version.
- The H-dimension can be varied via the cranking of the cams.

Material:

- **Housing, Insert, Axle, Cam and Serrated Screw:** stainless steel
- **O-Ring:** NBR



a) Compression Latch with Insert:	Part-No. RH (as drawn.)	Part-No. LH	see product system
Square 6	248-91AA	248-91AA	
Square 7	248-9100	248-9150	
Square 8	248-9101	248-9151	
Double bit 3	248-9102	248-9152	
Double bit 5	248-9103	248-9153	
Triangular 6,5	248-9104	248-9154	
Triangular 7	248-9105	248-9155	
Triangular 8	248-9106	248-9156	
Conical square	248-9107	248-9157	
	248-9108	248-9158	

Serrated lock washer, anti-rotation device and dustcap to be ordered separately

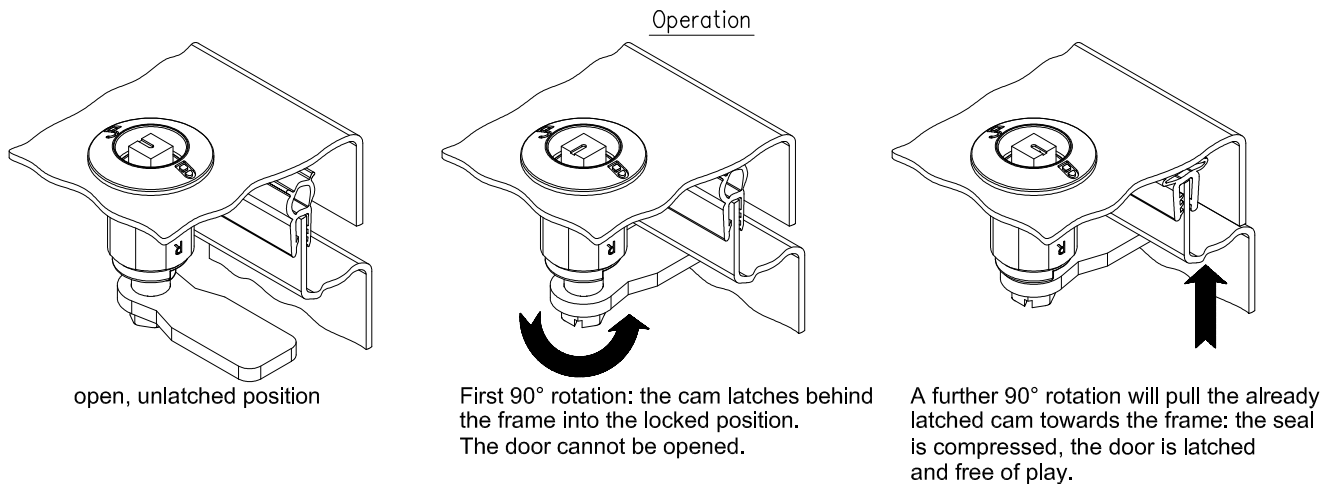
1-275

Key for insert

6-100

7-078 Compression Latch Pr20.1

with fixed H-dimension, non-adjustable cam, stainless steel AISI 316



Compression Latch with Cam and Accessories

248-91AA.00- X Y L KK

Insert version and Design:

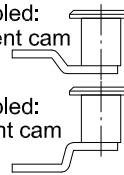
RH or LH
see table a)

Accessories on table a):

- 0 = without Accessories
- 1 = Serrated lock washer 840-6798.00-00023
- 2 = Dustcap 200-4103
- 3 = Serrated lock washer + Dustcap

Assembling of Cam:

- 0 = without Cam
- 1 = Cam not assembled
- 2 = Cam assembled:
negatively bent cam
- 3 = Cam assembled:
positively bent cam



length of Cam:

- 0 = without Cam
- 1 = L35
- 2 = L45

Cranked Cam:

see table b)

b) Cams	H in mm / inch	KK	Component Part-No. L35	Component Part-No. L45
negative	10 / 0.394	22	100-0535.80-00022	100-0545.80-00022
	12 / 0.472	20	100-0535.80-00020	100-0545.80-00020
	14 / 0.551	18	100-0535.80-00018	100-0545.80-00018
	16 / 0.630	16	100-0535.80-00016	100-0545.80-00016
	18 / 0.709	14	100-0535.80-00014	100-0545.80-00014
	20 / 0.787	12	100-0535.80-00012	100-0545.80-00012
	22 / 0.866	10	100-0535.80-00010	100-0545.80-00010
	24 / 0.945	08	100-0535.80-00008	100-0545.80-00008
	26 / 1.024	06	100-0535.80-00006	100-0545.80-00006
	28 / 1.102	04	100-0535.80-00004	100-0545.80-00004
30 / 1.181	02	100-0535.80-00002	100-0545.80-00002	
straight	32 / 1.260	00	100-0535.80-00000	100-0545.80-00000
positive	34 / 1.339	02	100-0535.80-00002	100-0545.80-00002
	36 / 1.417	04	100-0535.80-00004	100-0545.80-00004
	38 / 1.496	06	100-0535.80-00006	100-0545.80-00006
	40 / 1.575	08	100-0535.80-00008	100-0545.80-00008
	42 / 1.654	10	100-0535.80-00010	100-0545.80-00010
	44 / 1.732	12	100-0535.80-00012	100-0545.80-00012
	46 / 1.811	14	100-0535.80-00014	100-0545.80-00014
	48 / 1.890	16	100-0535.80-00016	100-0545.80-00016
	50 / 1.969	18	100-0535.80-00018	100-0545.80-00018
	52 / 2.047	20	100-0535.80-00020	100-0545.80-00020
	54 / 2.126	22	100-0535.80-00022	100-0545.80-00022