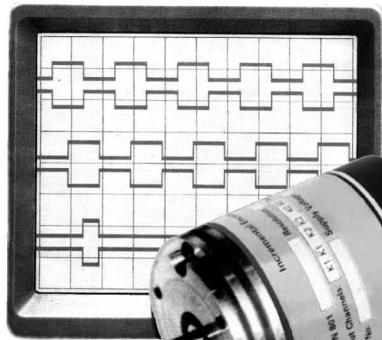




# EN-901

## Incremental Shaft Encoders



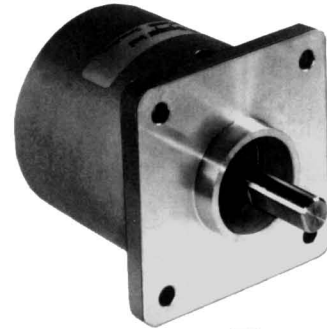
- Up to 360 ppr
- 50 KHz
- Economical
- 6 channel



Servo



Face



Flange

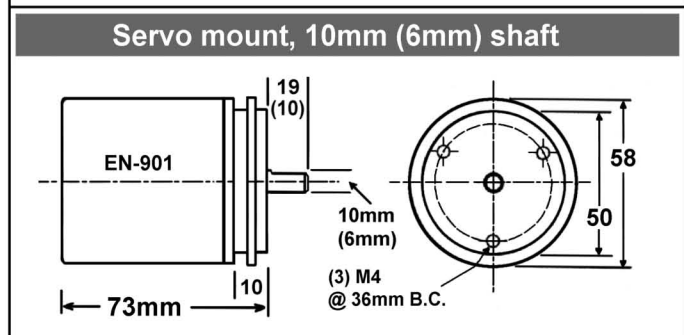
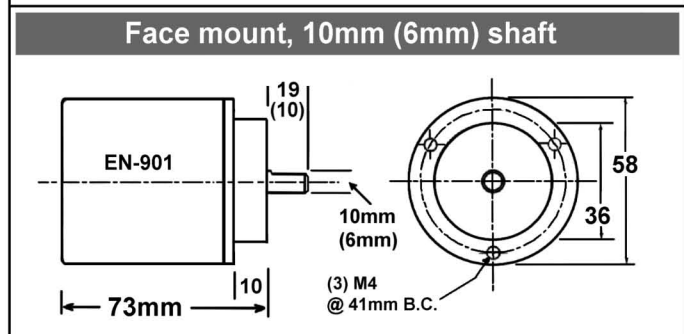
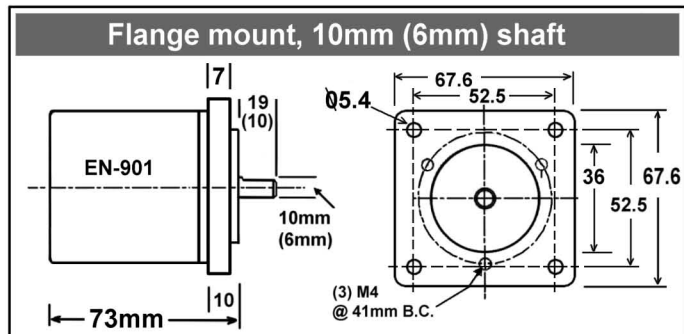
### TECHNICAL SPECIFICATION AND DIMENSIONS

EN-901-xxxx-1A	10-30 VDC	10 mm
EN-901-xxxx-1B	5 VDC	10 mm
EN-801-xxxx-1C	5VDC RS422 TTL	6 mm
EN-901-xxxx-1D	5VDC RS422 TTL	6 mm
EN-901-xxxx-2A	10-30 VDC	6 mm
EN-901-xxxx-2B	5 VDC	6 mm

xxxx = ppr

Supply voltage	Option - A	10-30 VDC
Supply voltage	Option - B	5 VDC
Supply voltage	Option - C	10-30 VDC
Supply voltage	Option - D	5 VDC
Driver current		20 mA
Driver 10-30V		Push-Pull
Driver 5V		RS-422
Protection rating		IP 66
Maximum speed in RPM		6,000
Maximum frequency		50 KHz
Weight (approx)		400 gms
Cable		2 Metre

FUNCTION	WIRE COLOUR
+ 10-30v DC supply / 5v DC	RED
- Common	BLUE
A	WHITE
A Comp	BROWN
B	PINK
B Comp	BLACK
<b>Marker Pulse</b>	
C	VIOLET
C Comp	YELLOW



European standard size