

800 Series Flowmeter

Technical Product data sheet



800 Series Flowmeter

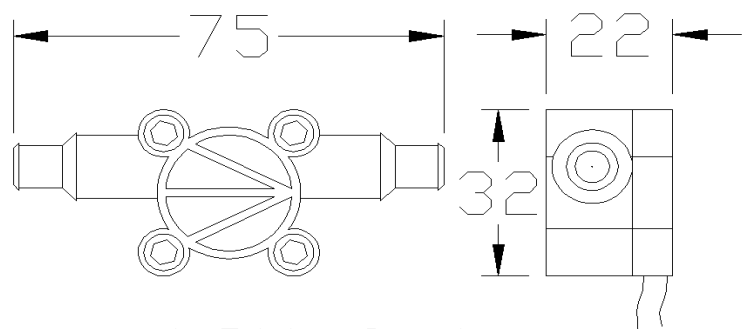
The 800 series flowmeter is designed to give high performance and competitive pricing with 6 flow ranges from 0.05 to 15 litres per minute. Its totally non-metallic wetted components makes this the ideal choice for the metering of aggressive chemicals including ultra-pure water. The standard inlet tubes are barbed to accept two hose sizes 8mm and 12mm although for OEM use alternatives are available. The bearings are made of sapphire for long life and reliability, the body is moulded PVDF as standard and the 'O' ring seal is typically Viton™.

Features

- Low cost
- PVDF or PP body
- 1- 2% FSD
- Sapphire bearings
- Hall Effect sensor
- 6 Flow ranges
- Pulse output (NPN Std)
- Pulse output (PNP Option)
- 10 Bar rating
- Viton™ seal as std.
- 8 & 12 mm hose tails
- 0.1% Repeatability
- 4.5 to 24 V dc
- -25°C Min to 125°C Max
- 0.050gms

Ideal for

- ◆ Drink dispensing
- ◆ Laboratory tests
- ◆ Cooling equipment
- ◆ Active flow alarms
- ◆ Semiconductor plant
- ◆ OEM applications



1.8M flying lead



TITAN ENTERPRISES LTD.

Coldharbour Business Park, Sherborne, Dorset DT9 4JW

Phone (44) 01935 812790 Fax (44) 01935 812890 Web www.flowmeters.co.uk sales@flowmeters.co.uk

800 Series Flowmeter

Order Codes

Flow range 803
L/min 815
845
865
810
824

O'ring mtl V - Viton™
N - Nitrile
E - EPDM
S - Silicon

Options 0 - Standard
2 - NPN - PNP

Body mtl P - PVDF
O - Special

Special OEM code 0 - Standard
U - Uncalibrated

e.g. **865-VOP-O** is a flow range of 0.25 to 6.5 L/Min, Viton™ seal, standard, PVDF bodied flowmeter with a 6 point traceable water calibration.

Standard Materials of Construction

Body and cap - PVDF
'O' Ring seal - Viton™
Magnets - Ceramic
Bearings - Sapphire

Model	Flow range L/Min	Linearity % FSD	Typical Freq. Hz.	Approx 'K' Factor
803	0.05 - 0.5	2.0	142	17000
815	0.12 - 1.5	2.0	175	7000
845	0.20 - 4.5	1.5	260	3500
865	0.25 - 6.5	1.5	230	2100
810	0.30 - 10.0	1.0	235	1420
824	0.50 - 15.0	1.0	245	980

800 Series Flowmeter

At the heart of the meter is a precision turbine that rotates freely on robust sapphire bearings and contains chemically resistant ceramic magnets that are detected through the chamber wall by a Hall effect detector. The output is a stream of NPN/PNP pulses that are readily interfaced with most electronic display or recording devices. This combination of materials and technology ensures a long life product with reliable operation throughout. There are two temperature options 125°C or 60°C. The 60°C unit is fitted with two LEDs to monitor the power and pulse output, both NPN and PNP transistor outputs are available on each flow meter

