

FT2 Hall Effect Detection

Technical Product data sheet



FT2 Hall Effect Detection

This multi-range radial flow turbine meter uses a low inertia turbine supported on robust sapphire bearings in a chemically resistant housing. Nine flow ranges (0.05 to 160 litres per minute), a choice of "plug in" fittings and individual traceable calibration make this meter one of the most flexible available. It uses Hall Effect sensing so that opaque fluids may still be metered. For OEM applications the fittings can be tailored to suit the installation and speed production. Custom leads or connectors are also available for quantity orders.

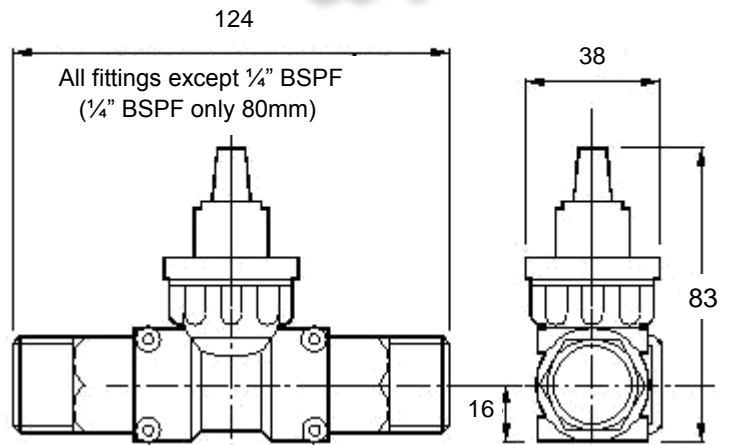


Features

- Economical
 - PPS body
 - $\pm 0.75\%$ reading *
 - 1- 2% FSD
 - Sapphire bearings
 - Hall Effect sensing
 - 9 Flow ranges
 - Pulse output
 - 15 Bar rating
 - Viton™ seal as standard
 - Choice of fittings
 - 0.1% Repeatability
 - 5 to 24 V dc
 - -15°C Min to 125°C Max
- * When used with our Metra-smart instrument

Ideal for

- ◆ Opaque fluids
- ◆ Laboratory tests
- ◆ Cooling equipment
- ◆ Semiconductor plant
- ◆ Water treatment
- ◆ Low viscosity fluids



Fitting	Weight in kg			
	PVC	PVDF	Brass	316 St St
8mm hose	0.082			
13mm hose	0.156			
1/4" BSP female			0.195	0.187
1/2" BSP male		0.124	0.279	0.319
3/4" BSP male	0.107	0.108	0.344	0.250
1" BSP male	0.120	0.124	0.377	0.404



TITAN ENTERPRISES LTD.

Coldharbour Business Park, Sherborne, Dorset DT9 4JW

Phone (44) 01935 812790 Fax (44) 01935 812890 Web www.flowmeters.co.uk sales@flowmeters.co.uk

FT2 Hall Effect Detection

Order Codes

Detector Type = 22 Hall Effect

Electrical Q – Rubber grommet connections
 P – 4 pin socket
 N – IP67 Gland

Flow range L/min ↓

- 004
- 016
- 045
- 065
- 010
- 030
- 060
- 100**
- 160

O'ring mat'l ↓

- V** - Viton™
- N - Nitrile
- E - EPDM
- O - Special

Fitting size ↓

- 25 - 1/4" BSP
- 50 - 1/2" BSP
- 75 - 3/4" BSP
- 10** - 1" BSP
- 8H - 8mm hose
- 0H - 13mm hose

Fitting mat'l ↓

- B** - Brass
- S - 316 St St
- C - PVC*
- P - PVDF
- * 60°C max

Special code ↓

- S = OEM customer

Order code example: - **220-100-V-10-B** is a flowmeter with a flow range of 6.0 to 100 L/Min, Viton™ seal and 1" BSP brass fittings with a standard 6 point traceable water calibration.

Model	Flow range L/Min	Linearity % FSD	Typical Freq. Hz.	Approx 'K' Factor
004	0.05 - 0.5	2.0	133	16000
016	0.12 - 1.6	1.5	207	7700
045	0.13 - 4.5	1.5	318	4250
065	0.25 - 6.5	1.0	260	2400
010	0.60 - 10	1.0	218	1250
030	2.50 - 30	1.5	275	550
060	5.00 - 60	1.5	275	275
100	6.00 - 100	2.0	275	165
160	10.0 - 160	1.5	320	120

FT2 Hall Effect Detection

At the heart of the meter is a precision turbine that rotates freely on robust sapphire bearings. This rotation is detected by a Hall Effect detector. The resulting output is a NPN pulse that is readily interfaced with most electronic display or recording devices. This combination of materials and technology ensures a long life product with reliable operation throughout. Because the flowmeter is so versatile with respect to flow range and fittings every combination of range and fitting is not available. The chart below shows the maximum standard flow rate/fitting we would recommend to attain our performance figures. Alternatives are possible but there would be degradation in the meters performance.

Fitting	Recommended Max flow L/Min	PVC	PVDF	Brass	316 St St
8mm hose	4.5	*			
13mm hose	10	*			
1/4" BSP female	4.5			*	*
1/2" BSP male	30		*	*	*
3/4" BSP male	100	*	*	*	*
1" BSP male	160	*	*	*	*

Standard Materials of Construction

Body and cap - PPS
 'O' Ring seal - Viton™
 Bearings - Sapphire
 End fittings - PVDF, PVC, St St or Brass
 Magnet - Ceramic

